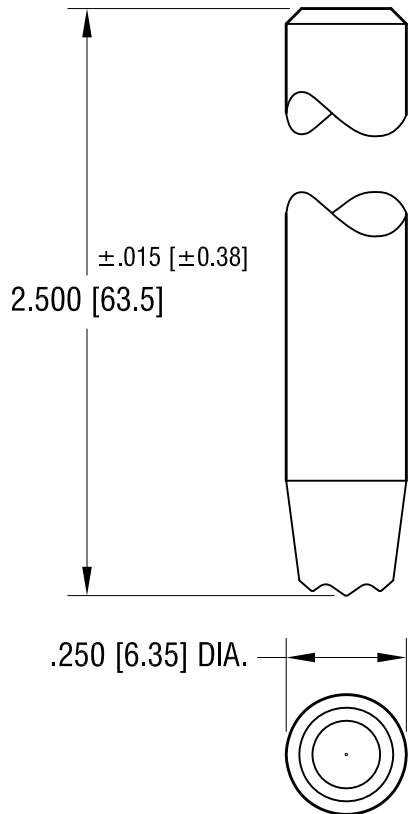
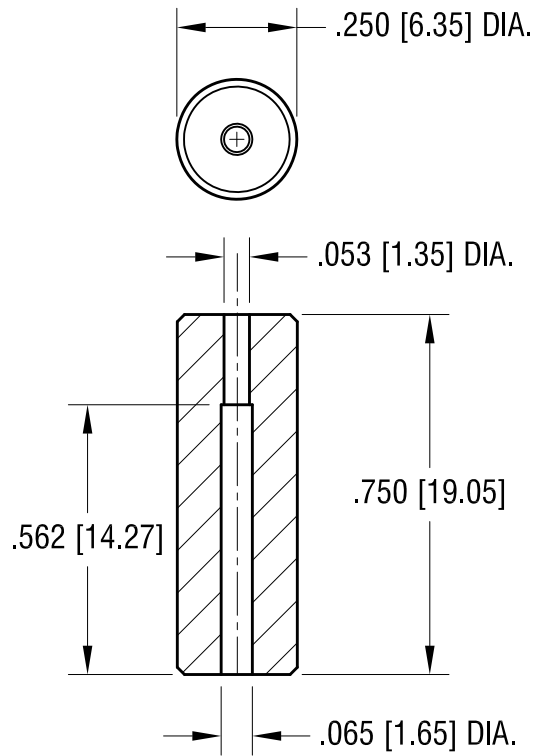


THIS DOCUMENT IS THE PROPERTY OF  
KEYSTONE ELECTRONICS CORP. AND  
SHALL NOT BE REPRODUCED, DISTRIBUTED  
OR USED AS A BASIS FOR MANUFACTURE  
WITHOUT PRIOR WRITTEN PERMISSION  
FROM KEYSTONE ELECTRONICS CORP.

**TOP TOOL  
P/N 1714**



**BOTTOM TOOL  
P/N 1722**



1.28.15	CHANGE AS PER ECN 15-017	A
DATE	DESCRIPTION	REV.

<b>KEYSTONE ELECTRONICS CORP.</b>			
www.keyelco.com • ASTORIA, N.Y. 11105-2017 • Tel (718) 956-8900			
PART NAME			
SWAGE STAKING TOOL			
MATERIAL			
C.R.S.			
FINISH		DRN BY	DATE
ZINC PLATE		BOONE	8.6.07
		APP'D	SCALE
		LN	2.5X
TOLERANCES	INCH [MM]	CODE	DWG NO.
DECIMAL	± .005 [± 0.15]	C	TL-1
ANGULAR	± 1°		
UNLESS OTHERWISE SPECIFIED			