

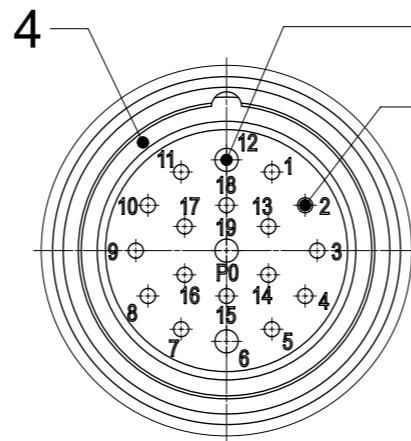
TABLE 1

MOLEX P/N	ENG. NO.	LED
1202480065	BTB8030-FBC	NO
1202480066	BTB803P-FBC	YES
1202480132	BTB803N-FBC	YES

TABLE 2 BILL OF MATERIAL

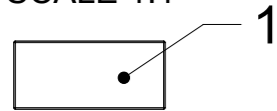
ITEM	DESCRIPTION	MATERIAL	FINISH
1	LABEL	ABS	WHITE
2	SHELL	BRASS	NICKEL PLATED
3	O-RING	NBR	BLACK
4	O-RING	NBR	BLACK
5	CONTACT	BRASS	GOLD OVER NICKEL
6	CONTACT	BRASS	GOLD OVER NICKEL
7	CONTACT	BRONZE	GOLD OVER NICKEL
8	O-RING	FPM	RED
9	LED	NO LED = PA	BLACK
		WITH LED = PA	TRANSPARENT
10	SHELL	BRASS	NICKEL PLATED
11	HOUSING	PBT	BLACK

2X FIXING SLOT HOLES
SUITABLE FOR M4
SCREWS

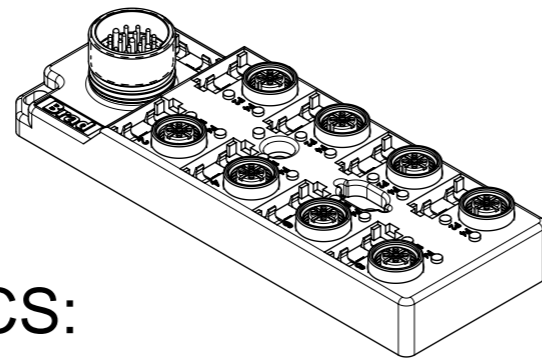


SCALE
2:1

SCALE 1:1



LABEL
9x packed in a bag.

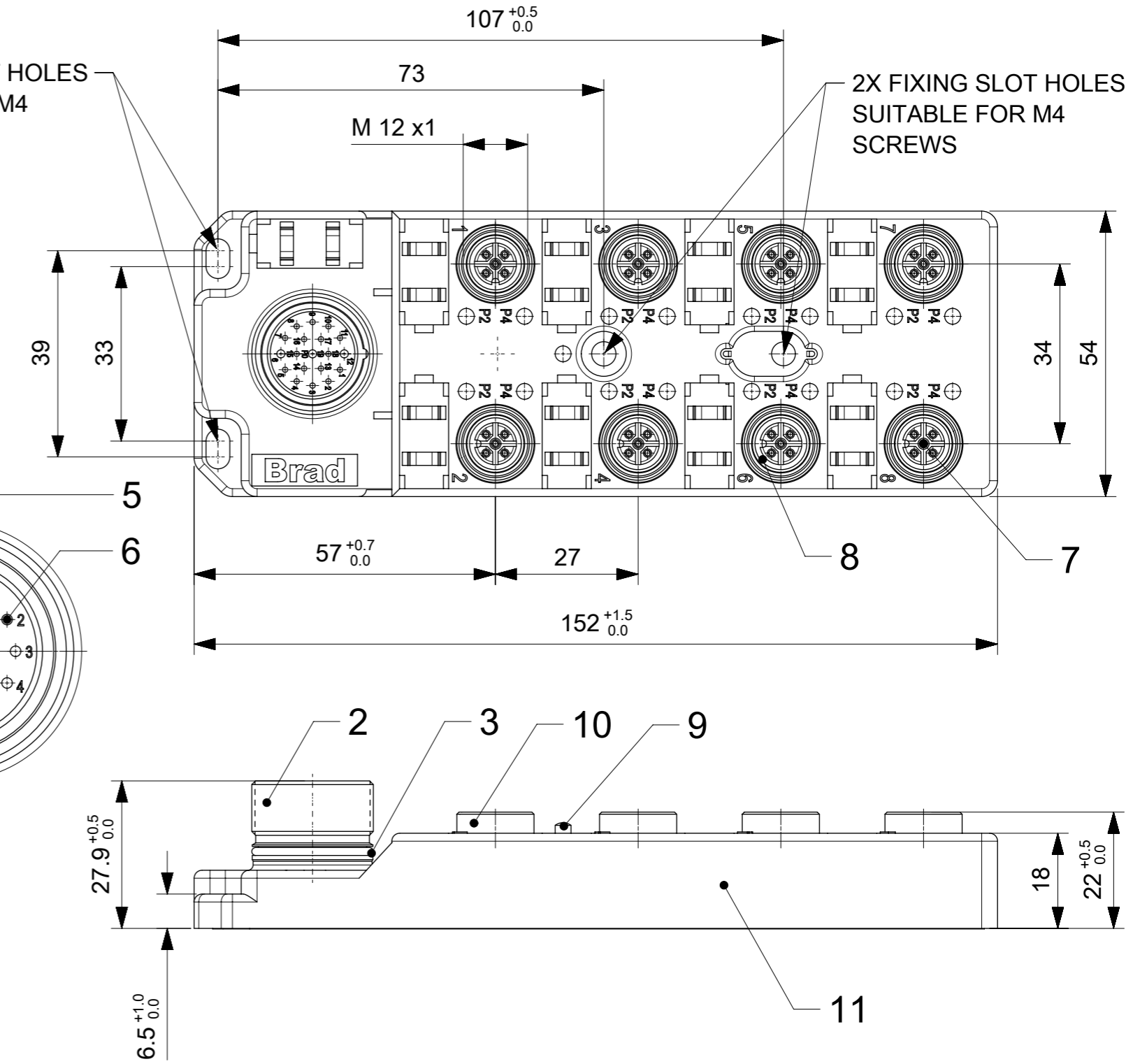


SCALE
1:2

GENERAL CHARACTERISTICS:

ELECTRICAL AND MECHANICAL DATA ACC. TO IEC 61076-2-101

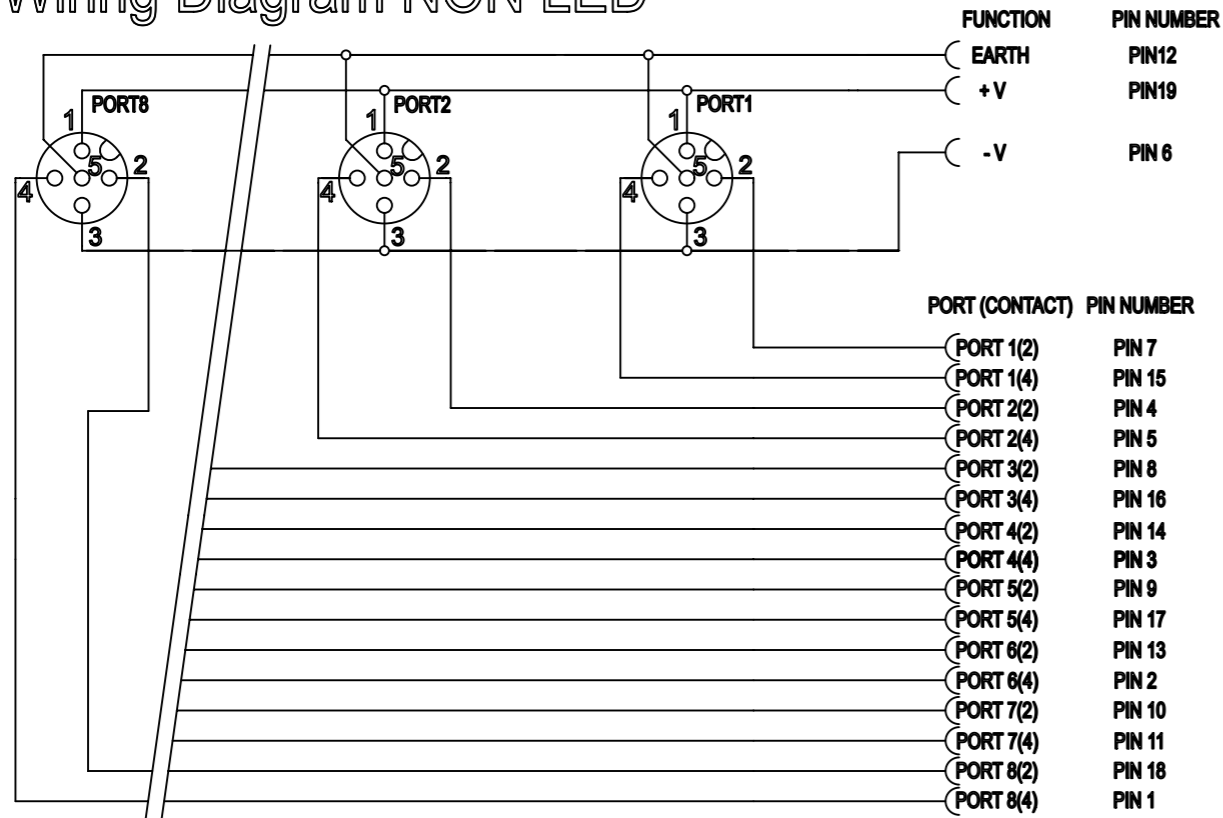
NOMINAL VOLTAGE: 10-30 V DC
 AMPERE RATING: 4 A PER PORT / 12 A MAX
 AMPERE RATING WITH UL REGISTRATION: 3 A PER PORT / 9 A MAX
 IP DEGREE OF PROTECTION: IP 67
 TEMPERATURE RANGE: -25°C to + 85°C



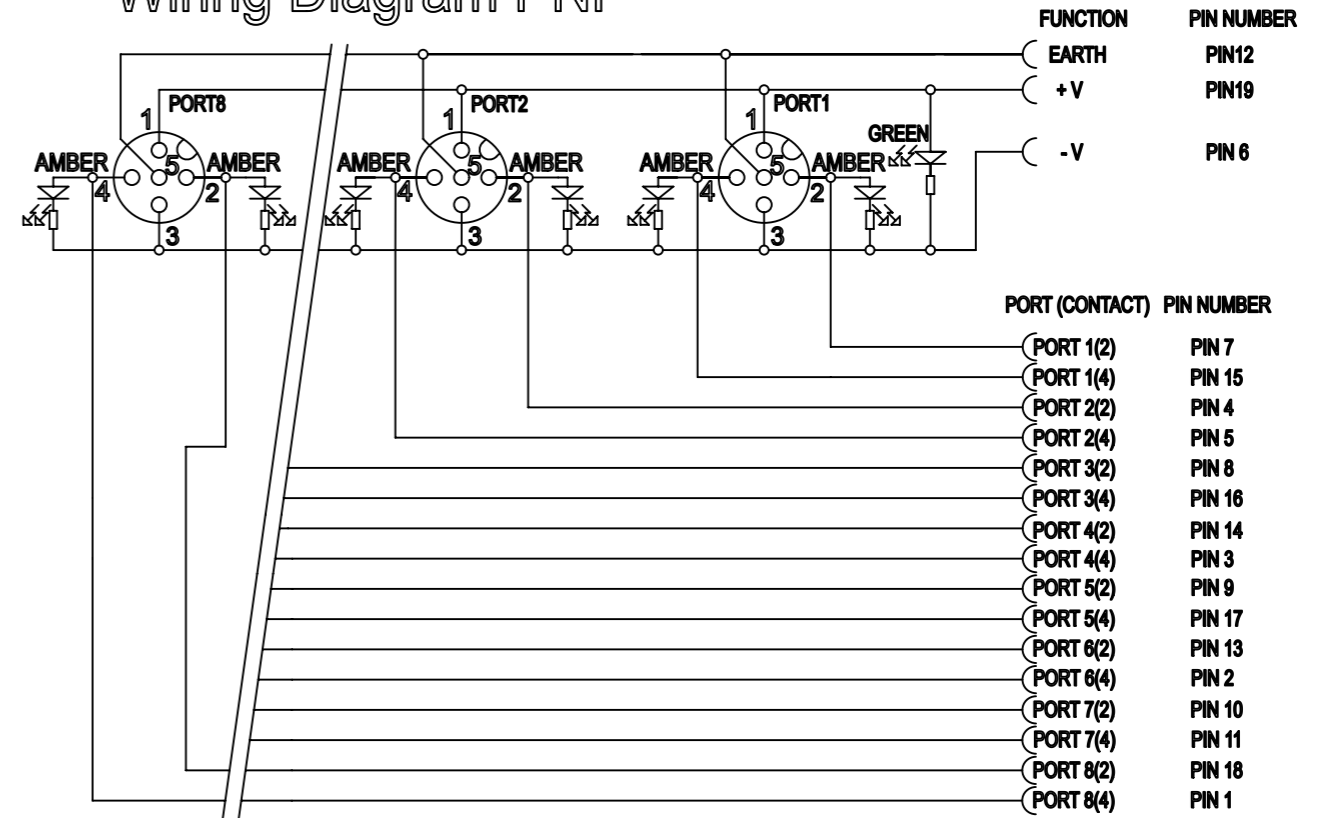
THIS DRAWING CONTAINS INFORMATION THAT IS PROPRIETARY TO MOLEX INCORPORATED AND SHOULD NOT BE USED WITHOUT WRITTEN PERMISSION

EC DESCRIPTION EC NO: 112767 DRWN: ULETTENMEIER 2017/01/24 CHK'D: APPR: RSILLER 2017/01/26	QUALITY SYMBOLS	GENERAL TOLERANCES (UNLESS SPECIFIED)	DIMENSION UNITS	SCALE	
	= 0 = 0 = 0 = 0 = 0 = 0 = 0 = 0	ANGULAR TOL ± ° 4 PLACES ± 3 PLACES ± 2 PLACES ± 1 PLACE ± 0 PLACES ± 0.25	MM	1:1	
	DRAFT WHERE APPLICABLE MUST REMAIN WITHIN DIMENSIONS	DRWN BY: AAHLERS DATE: 2015/04/02 CHK'D BY: DATE: APPR BY: RSILLER DATE: 2015/05/20	MPIS M12 PNP NPN NOS 5P 8PT 19P M23 BK DUAL		
	A3 REV:	DRAFTING SIZE: A3 THIRD ANGLE PROJECTION	PRODUCT CUSTOMER DRAWING SERIES: 120248 MATERIAL NUMBER: SEE TABLE 1 CUSTOMER: GENERAL MARKET		
		DOCUMENT NUMBER: 1202480065 DOC TYPE: PSD DOC PART: 000 SHEET NUMBER: 1 OF 2			

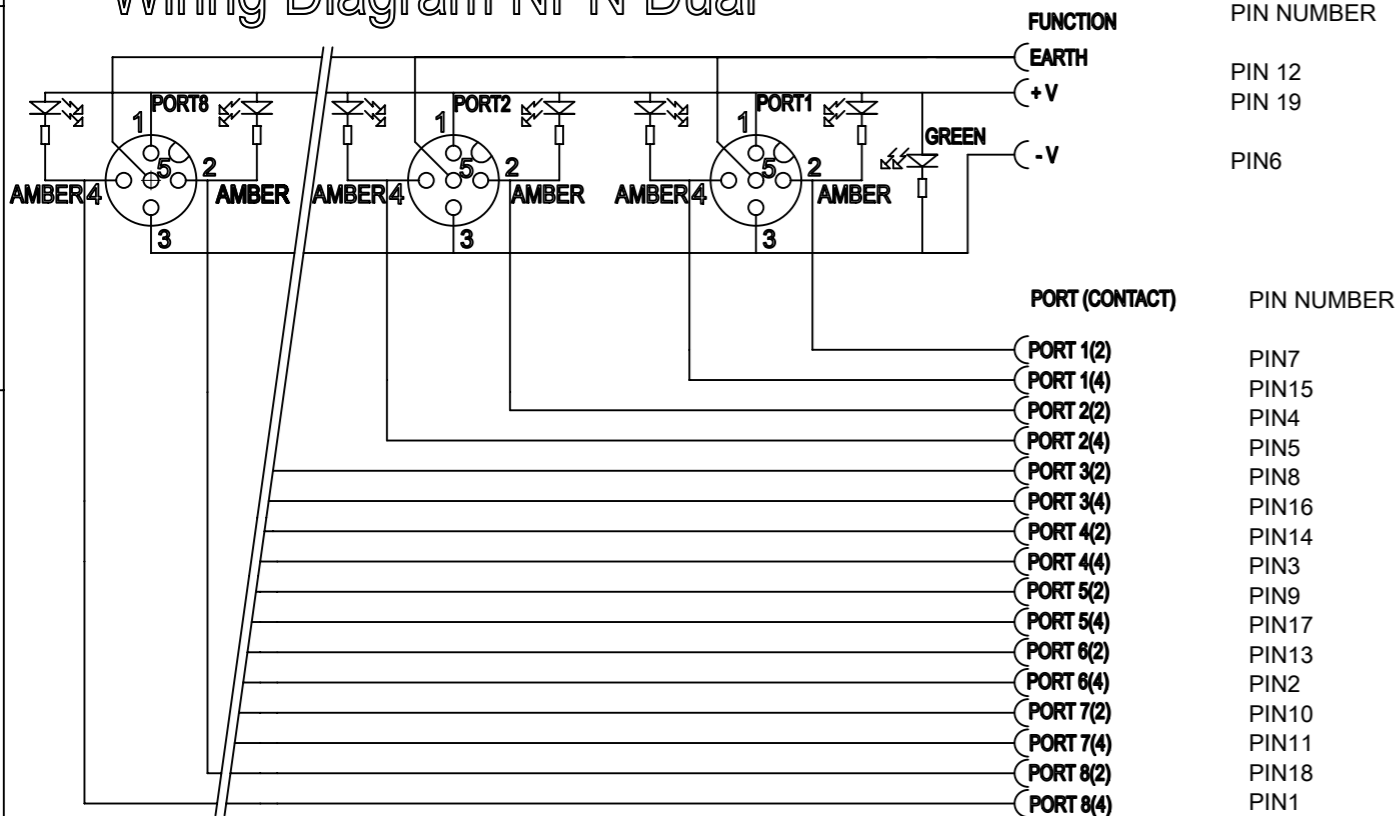
Wiring Diagram NON LED



Wiring Diagram PNP



Wiring Diagram NPN Dual



THIS DRAWING CONTAINS INFORMATION THAT IS PROPRIETARY TO MOLEX INCORPORATED AND SHOULD NOT BE USED WITHOUT WRITTEN PERMISSION

EC DESCRIPTION EC NO: 112767 DRWN: ULETTENMEIER 2017/01/24 CHK'D: APPR: RSILLER 2017/01/26	QUALITY SYMBOLS	GENERAL TOLERANCES (UNLESS SPECIFIED)	DIMENSION UNITS	SCALE			
	▽ = 0 ▽ = 0 ▽ = 0 ▽ = 0 ▽ = 0 ▽ = 0 ▽ = 0	ANGULAR TOL ± ° 4 PLACES ± 3 PLACES ± 2 PLACES ± 1 PLACE ± 0 PLACES ± 0.25	MM	1:1		DRWN BY: AAHLERS DATE: 2015/04/02 CHK'D BY: DATE:	MPIS M12 PNP NPN NOS 5P 8PT 19P M23 BK DUAL
	▽ = 0 ▽ = 0 ▽ = 0 ▽ = 0	DRAFT WHERE APPLICABLE MUST REMAIN WITHIN DIMENSIONS	A3	THIRD ANGLE PROJECTION			
	A3 REV:					DRAWING SIZE: A3 THIRD ANGLE PROJECTION	SERIES: 120248 MATERIAL NUMBER: SEE TABLE 1 CUSTOMER: GENERAL MARKET
					DOCUMENT NUMBER: 1202480065 DOC TYPE: PSD DOC PART: 000 SHEET NUMBER: 2 OF 2		